



Lenten Season, March 2026



My heart has been heavy this Lenten season. Perhaps it has been the extremely cold weather, with ice and snow blocking most of our driveway. Perhaps it has been the demonization of strangers to our country, culminating in the killing of Renee Good and Alex Pretti in Minneapolis. Part of it has been the shrinking of commitments we have made to the widows and orphans and poor people in our communities, denying health care, supplemental income, and necessities such as food and housing. Most certainly it has been exacerbated by the engaging of war on February 28<sup>th</sup> with the resulting killing of school children, over a thousand civilians, and at this point thirteen members of our armed services.

My heavy heart certainly began before Ash Wednesday, when I heard the words, "From dust you came, and to dust you shall return." Since that night of February 18, the world has become only darker.

What have I done during Lent to meditate on this? For one thing, I have been reading Diana Butler Bass' *A Beautiful Year* in which she sets out fifty-two meditations organized by the season. Of Ash Wednesday, she writes: "Give, pray, fast. Sing, forgive, do justice. Love your enemies, turn the other cheek, keep Sabbath. Offer hospitality, serve the poor, care for the planet.... Practice the Kingdom of God in your life. Do it in your inner world, read God's script in private..."

Dr. Amy Jill Levine writes in our Lenten study book: "The Sermon on the Mount is not a counsel of despair; it is a hymn of praise not only to God but also for all creation...the Sermon on the Mount resembles, in part, a theological pep talk. Good pep talks, or revivals, don't just make us feel better about ourselves. They inspire us not just to feel better but to do better, try harder, dig more deeply, find the resources needed for living the life to which God is calling us. Let that light shine so that others can see, even amid your struggles, that you have spiritual resources, and the covenant community, to persevere." (pg. xix)

As Lent winds its way toward Palm Sunday and Easter, may you find ways to follow Micah 6:8: "To act justly and to love mercy and to walk humbly with your God" (NIV)

**Ernie Lewis**, Co-chair of Outreach Committee



Perhaps you would like to color in this lily outline. I have given just one color suggestion.



**Special Way to Help Remembrance Trust Fund:**

The Worship Committee will be buying a limited number of Easter lilies to decorate this Lenten season.



If you would like to "purchase" one or more of these lilies to honor or memorialize a loved one, you may for a minimum donation of **\$10.00**. A portion of your donation will keep on giving because the net of the lily's expense will be donated to the *SFPC Remembrance Trust Fund*. You may also donate without purchasing a plant, just write **RTF Fund** in the memo line of your check.

Orders may be brought to the church, mailed to the SFPC office or placed in the offering plates on 3/29. They must arrive by **Monday, March 30**. **Arriving later will not guarantee publication in the bulletin on Easter.**  
**Thank you, The Worship Committee.**

Donor: \_\_\_\_\_ Number of "Plants" (\$10 each): \_\_\_\_\_

In Memory of: \_\_\_\_\_ In Honor of: \_\_\_\_\_

**Please print carefully, we don't want to make a mistake.**

Use the back if you need more room to write. Please include payment with your order or donation.

Please indicate if you wish to take your lily home. Yes or No Please circle.

**If so, please take the lily home anytime after the Easter service.**



**Tuesday, March 24**

6:00 ... **Lenten Book Study**, SFPC, please note the location. A light meal will be served.

**Wednesday, March 25**

7:00 ... Choir

**Sunday, March 29 Palm Sunday**

10:00 ... Counterpoints & Faith in Action SS Adult Classes

10:00 ... Children's & Middle School SS Classes

11:00 ... In person & Facebook Worship Service, Rev. Marissa Carver

12:00 ... **Brunch, Youth Fundraiser**

12:00 ... Outreach Meeting, Fowler Room

**Monday, March 30 Lily order form with donation is due.**

9:00 ... **Stock the Shelves**, Food Pantry

2:00 ... Bridge

4:30 ... Knitting Group

**Monday, March 30-Thursday, April 2**

12:00 ... **Community Holy Week Services**, First United Methodist, A light lunch will be served after each service.

**Tuesday, March 31**

6:00 ... **Lenten Book Study**, SFPC, please note the location. A light meal will be served.

**Wednesday, April 1**

7:00 ... Choir

**Thursday, April 2**

6:00 ... **Maundy Thursday Service in the SFPC Fellowship Hall** A light meal will be served.

**Friday, April 3**

10:00 ... **Stations of the Cross**, Self-Guided Walk Through, SFPC (Ends at 2:00 PM)

**Sunday, April 5 Easter, Communion, One Great Hour of Sharing Offering**

10:00 ... Counterpoints & Faith in Action SS Adult Classes

10:00 ... Children's & Middle School SS Classes

11:00 ... In person & Facebook Worship Service, Rev. Marissa Carver

**Monday, April 6**

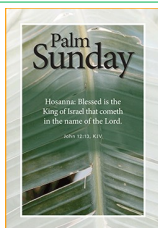
2:00 ... Bridge

4:30 ... Knitting Group

**Tuesday, April 7 Circles meet.**

12:00 ... Circle 3, Carolyn Underwood's Home

3:30 ... Circle 2, Nancey Belle Smith's Home



**Worship Sunday**

Attendance: **March 22, 2026**

SFPC in person: **53**

**Join us Sundays - 11:00 a.m., also online service.**

During our live streaming time, you can go to

**YouTube:** [youtube.com/southfrankfortpresbyterian8198.com](https://youtube.com/southfrankfortpresbyterian8198.com) or to **Facebook:** [facebook.com/sfpcchurch](https://facebook.com/sfpcchurch)

The next week, you may go to [www.sfpcy.org](http://www.sfpcy.org), the church's website and click "YouTube" or "Facebook" at the bottom right corner of the website to

**If not in the service, please consider donating one of two ways:**

1. Mail a check to: South Frankfort Presbyterian Church 224 Steele Street, Frankfort, KY 40601.

2. Click the green "Give Now" button on our website at [sfpcy.org](http://sfpcy.org). You can start and manage your account, and even set up repeating donations.



**March 22, 2026 Offering: \$1230.00**

**Prayer List**

Helen Taulbee	Glenda Harned
Dale Bryant	Jane Wilson
Jackie Hensley	Ann Disney
Bill Cheek	Christine Richards
Patti Cross	Carolynn Underwood
Alice Delambre	Nancey Belle Smith
Bill Cheek	

*Names remain on the Prayer List for four weeks unless the request is long term. To add or retain people with their permission, email or call the church office.*

**Happy Birthday!**

- March ... 21 Brenda Duvall
- March ... 26 Kendall Brown
- March ... 26 Hannah Metzger
- March ... 29 Jonathan Philpot
- March ... 29 Corianna Wideman

**April**

- April 3 Marae Mallard
  - April 3 Truitt Donnelly
  - April 3 Ingeborg Pennington
  - April 6 Paul Susan
  - April 8 John Rose
  - April 10 Libby Sircy
  - April 15 Molly Jarboe
  - April 16 Jack Tharpe
  - April 17 B. J. Helton
  - April 19 Faye Gooding
  - April 20 Oliver Jarboe
  - April 20 Will Mucci
  - April 24 Rae Smith
  - April 25 Bill Leroy
  - April 25 Sawyer Shaw
  - April 27 Darrell Taulbee
  - April 28 Janet Gates
  - April 28 Jennifer Grisham
  - April 29 Elizabeth Harris
- Nicole and Frank Angst also have birthdays this month. Their dates are not published.

Following church on **March 29**, the Youth of SFPC will host a **Brunch as a fundraiser for Montreat**. We hope that all will attend to support their efforts. If you are willing to assist with the cooking, **please sign up** on this google doc. Don't forget to leave your phone number so you can receive a reminder.

[https://docs.google.com/document/d/1-4WYzkIZp2ZrAX-MRN8N\\_D3wRf4tRfIdNpVPLuDcSTI/edit?usp=sharing](https://docs.google.com/document/d/1-4WYzkIZp2ZrAX-MRN8N_D3wRf4tRfIdNpVPLuDcSTI/edit?usp=sharing)

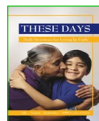


**Community Holy Week Services**

**Monday, March 30– Thursday, April 2**

First United Methodist Church  
 A light lunch will be served after each service.  
 (Roland Herzel is playing on Monday.)

**These Days**, Daily Devotional books, April-June, are on the tables in the Sanctuary and the Second St. entrance table.



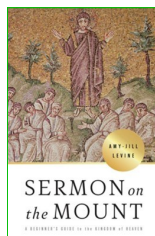
**One Great Hour of Sharing**

Each Lenten season, Presbyterians around the world respond to Christ's call to ministries of compassion for the most vulnerable around the World.

We can all help support Presbyterian ministries by giving what we can to contribute to collections that will be taken on Palm Sunday and Easter Sunday.

Special envelopes will be inserted into your bulletins.

**If we all do a little, it adds up to a lot!**

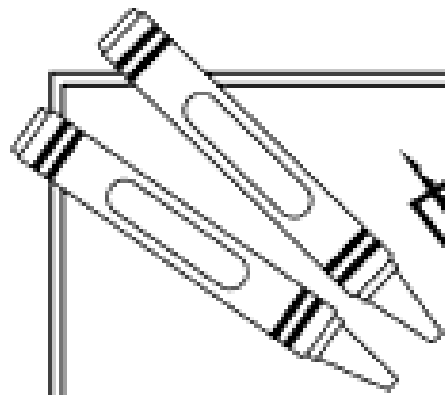


**Lenten Book Study (once a week) at 6:00 PM, Now at SFPC, March 17,24,31**

A light meal will be served.

The study book is [Sermon on the Mount-A Beginners Guide to the Kingdom of Heaven](#), by Amy-Jill Levine.

The book may be found on Amazon if you wish to order it, but it is not necessary to have the book to attend.



# PUZZLE

## LOOKING INTO THE SKY

As Jesus ascended into heaven, two angels had a message for his disciples.

Directions: Underline the word in each group that doesn't belong. Then write it on the line below to complete the angels' message in Acts 1:11, NIV.

- |                                |                               |                          |                               |                            |
|--------------------------------|-------------------------------|--------------------------|-------------------------------|----------------------------|
| 1. strange<br>same<br>odd      | 2. Lazarus<br>Jesus<br>Martha | 3. who<br>then<br>there  | 4. pear<br>been<br>apple      | 5. taken<br>cat<br>dog     |
| 6. sky<br>from<br>earth        | 7. you<br>work<br>toil        | 8. desk<br>chair<br>into | 9. house<br>hallway<br>heaven | 10. can't<br>will<br>won't |
| 11. breakfast<br>come<br>lunch | 12. nose<br>back<br>mouth     | 13. see<br>the<br>hear   | 14. oval<br>round<br>same     | 15. way<br>girl<br>boy     |
| 16. his<br>her<br>you          | 17. white<br>have<br>black    | 18. one<br>seen<br>two   | 19. go<br>low<br>high         | 20. sea<br>heaven<br>ocean |

" This \_\_\_\_\_ 1 \_\_\_\_\_ 2 \_\_\_\_\_ 3 \_\_\_\_\_ has \_\_\_\_\_ 4 \_\_\_\_\_  
 \_\_\_\_\_ 5 \_\_\_\_\_ 6 \_\_\_\_\_ 7 \_\_\_\_\_ 8 \_\_\_\_\_ 9 \_\_\_\_\_  
 \_\_\_\_\_ 10 \_\_\_\_\_ 11 \_\_\_\_\_ 12 \_\_\_\_\_ in \_\_\_\_\_ 13 \_\_\_\_\_  
 \_\_\_\_\_ 14 \_\_\_\_\_ 15 \_\_\_\_\_ 16 \_\_\_\_\_ 17 \_\_\_\_\_  
 \_\_\_\_\_ 18 \_\_\_\_\_ him \_\_\_\_\_ 19 \_\_\_\_\_ into \_\_\_\_\_ 20 \_\_\_\_\_ "

Acts 1:11, NIV

..This same Jesus, who has been taken from you into heaven, will come back in the same way you have seen him go into heaven." Acts 1:11, NIV